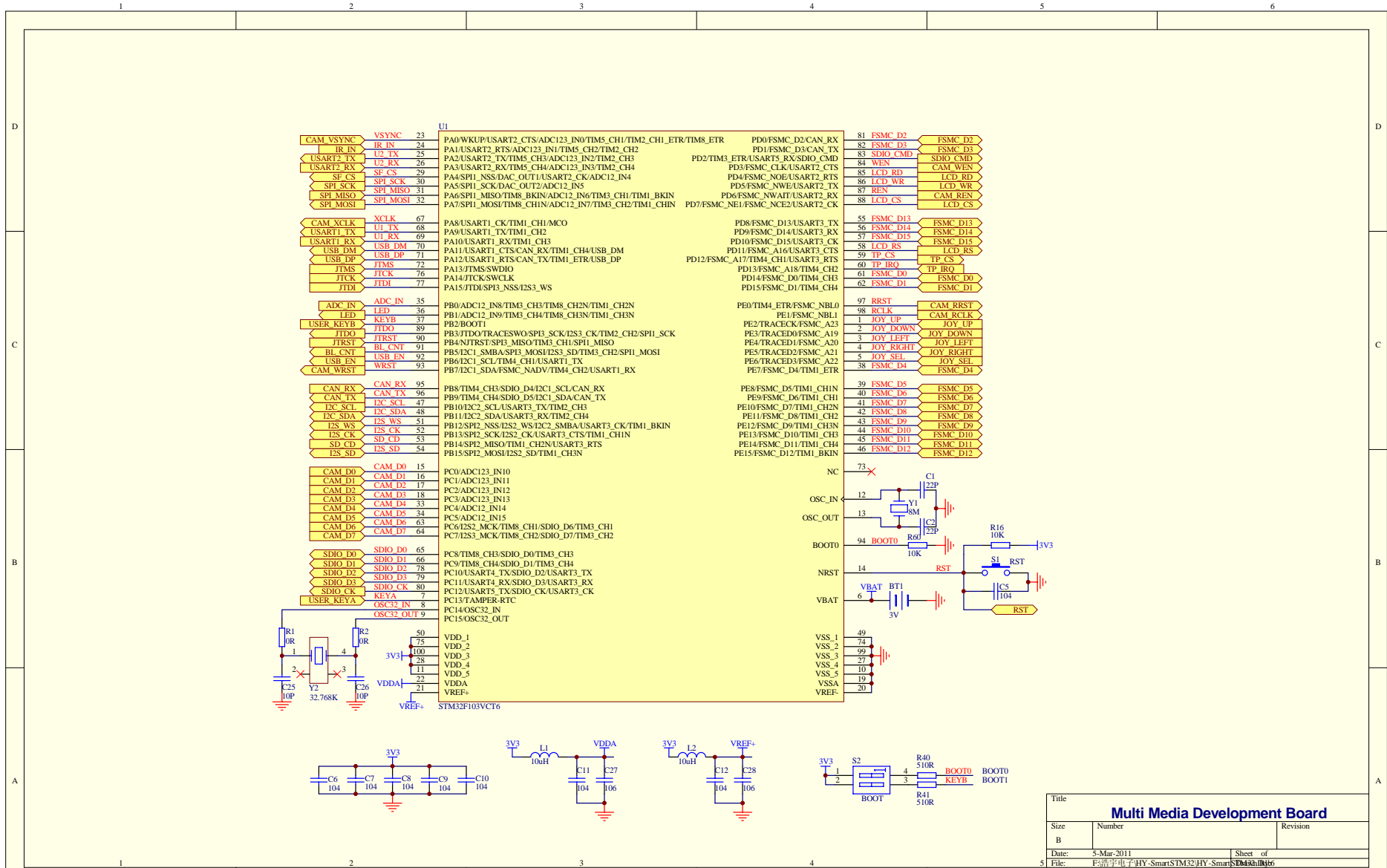
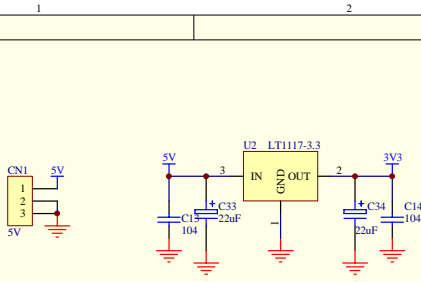


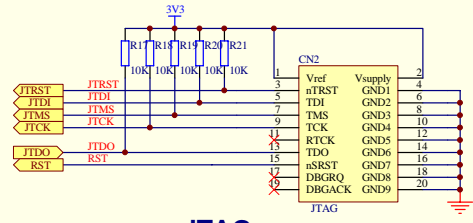
Title		
<b>Multi Media Development Board</b>		
Size	Number	Revision
A4		
Date:	5-Mar-2011	Sheet of
File:	F:\浩宇电子\HY-SmartSTM32\HY-SmartSTM32Lib	14/30/11



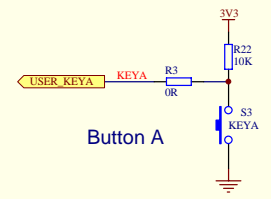
Title		
<b>Multi Media Development Board</b>		
Size	Number	Revision
B		
Date:	5-Mar-2011	Sheet of
File:	易佰电子HY-SmartSTM32/HY-SmartSTM32	1/16



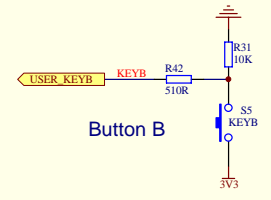
**Power**



**JTAG**

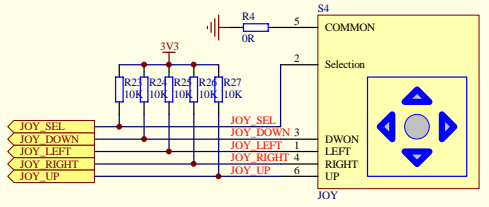


**Button A**

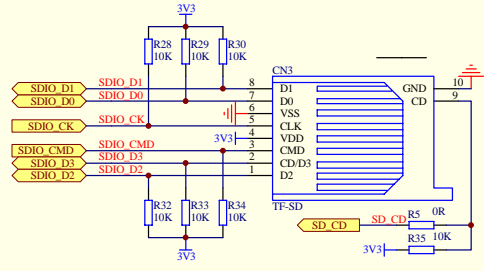


**Button B**

**BUTTON**



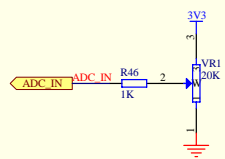
**Joystick**



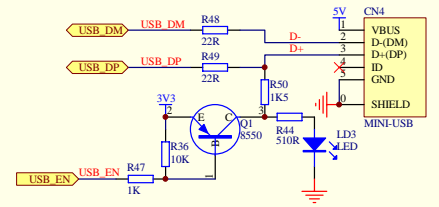
**SD Card**



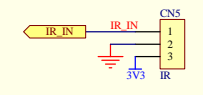
**LED**



**Potentiometer**

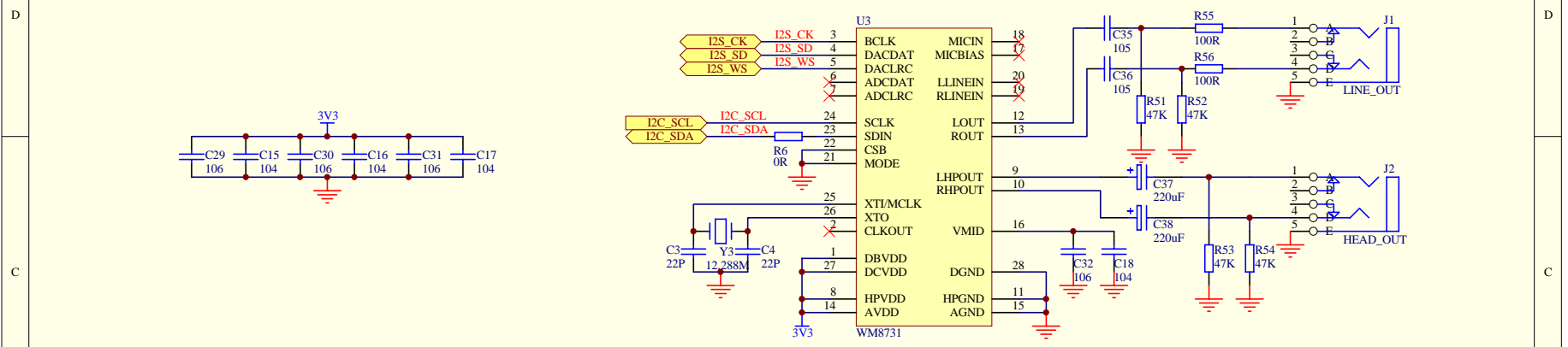


**USB Device**

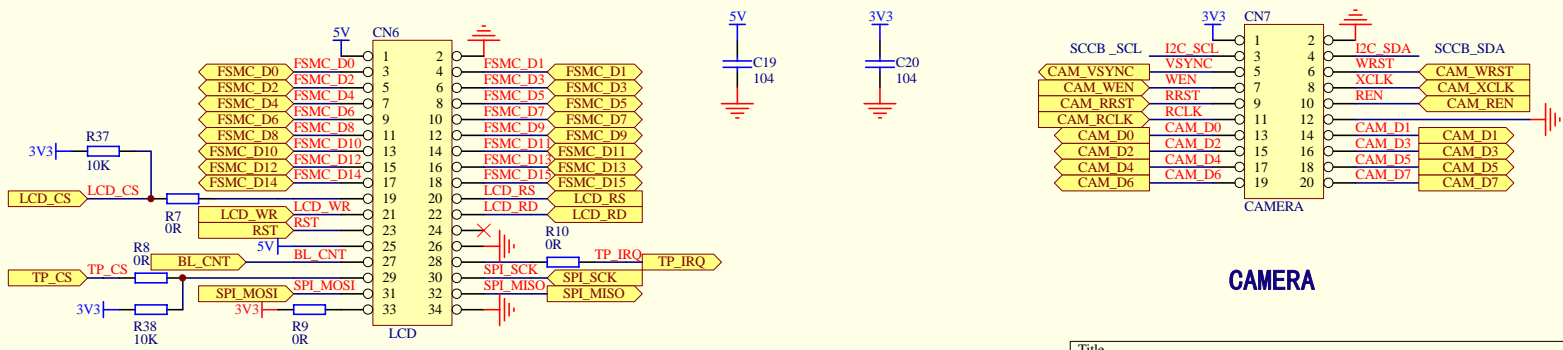


**IR**

Title		
<b>Multi Media Development Board</b>		
Size	Number	Revision
B		
Date:	5-Mar-2011	Sheet of
File:	F:\消费电子\HY_SmartSTM32\HY_SmartSD445\B16	



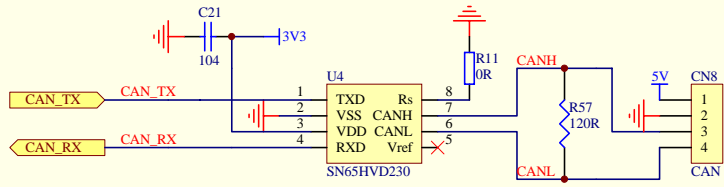
**AUDIO CODEC**



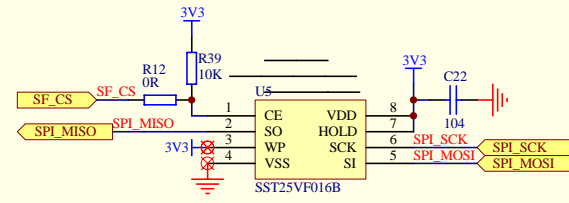
**LCD**

**CAMERA**

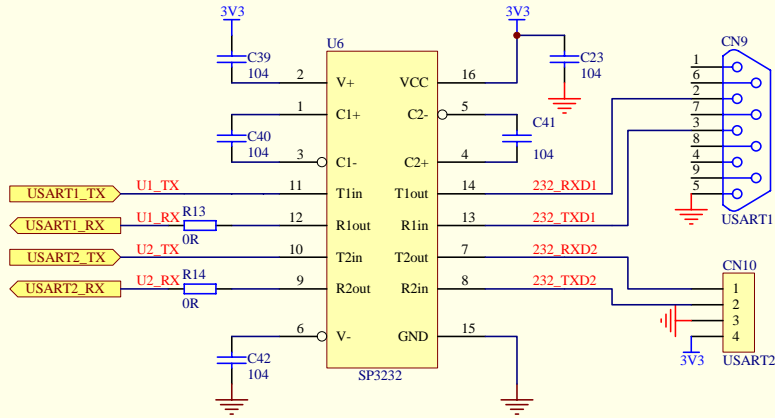
Title		
<b>Multi Media Development Board</b>		
Size	Number	Revision
A4		
Date:	5-Mar-2011	Sheet of
File:	F:\浩宇电子\HY-SmartSTM32\HY-SmartSTM32\lib	14/16



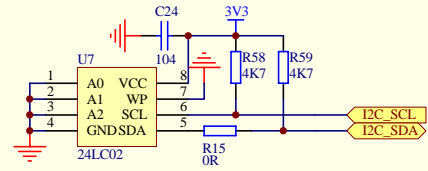
### CAN



### SPI Flash



### RS232



### EEPROM

Title		
<b>Multi Media Development Board</b>		
Size	Number	Revision
A4		
Date:	5-Mar-2011	Sheet of
File:	冯浩宇电子\HY-SmartSTM32\HY-SmartSTM32\lib	14 of 16